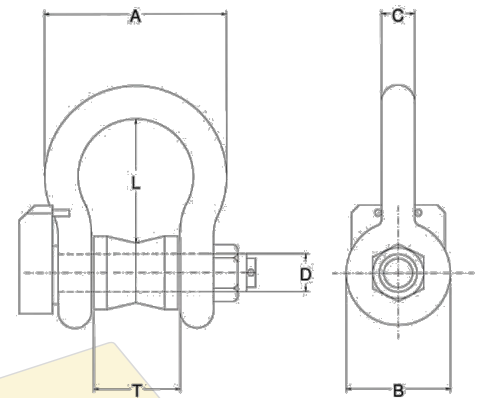


The JCM Wireless Shackle is an essential tool for any industrial application where heavy lifting is involved. It has a weight capacity of up to 1,000,000 kg and a high accuracy, making it perfect for accurately measuring the weight of large objects.

It comes equipped with a wireless handheld that allows you to remotely monitor the weight of your load from up to 600 meters distance. This feature eliminates the need for cumbersome cables and allows you to work more efficiently and safely.



SIZE [TONNE]	A [mm]	B [mm]	C [mm]	D [mm]	L [mm]	T [mm]
6.5	102	52	22	25	84	36
12	147	72	32	35	119	51
25	216	103	45	50	146	74
35	238	111	50	57	187	83
55	310	145	65	70	267	105
85	340	162	75	83	260	127
120	428	208	95	95	350	147
150	485	238	105	108	370	169
200	530	279	120	130	470	179
250	565	299	130	140	508	205
300	585	325	140	150	570	205
500	710	298	180	185	636	256
700	810	435	205	217	600	310
1000	(ON REQUEST)					



Smaller sizes come in an IP68 transit case

Key Features:

- Capacity 6.5 to 1000 Tonne
- Ingress protection rating IP67
- Connect up to four load links simultaneously to one handheld
- Battery life: 500 hours
- Remote handheld with 600 m wireless range
- Safety factor 5:1
- Accuracy: +/-1% (ISO7500 / ISO376)
- -10°C to +50°C operating temperature
- Rugged and durable construction
- Easy to install, use and transport

Load Equipment Centre

Hoefslag 5
4131ME, Vianen
The Netherlands
www.loaddec.com

Version 040823